



"The Chlorine Dioxide People"

Providing you with gaseous chlorine dioxide solutions for your decontamination and sterilization needs

Block Room Wall Plate

(Part #: PLAT-WALL/B/RH with RH Probe)

(Part #: PLAT-WALL/B w/out RH Probe)

Stud Room Wall Plate

(Part #: PLAT-WALL/S/RH with RH Probe)

(Part #: PLAT-WALL/S w/out RH Probe)

Description

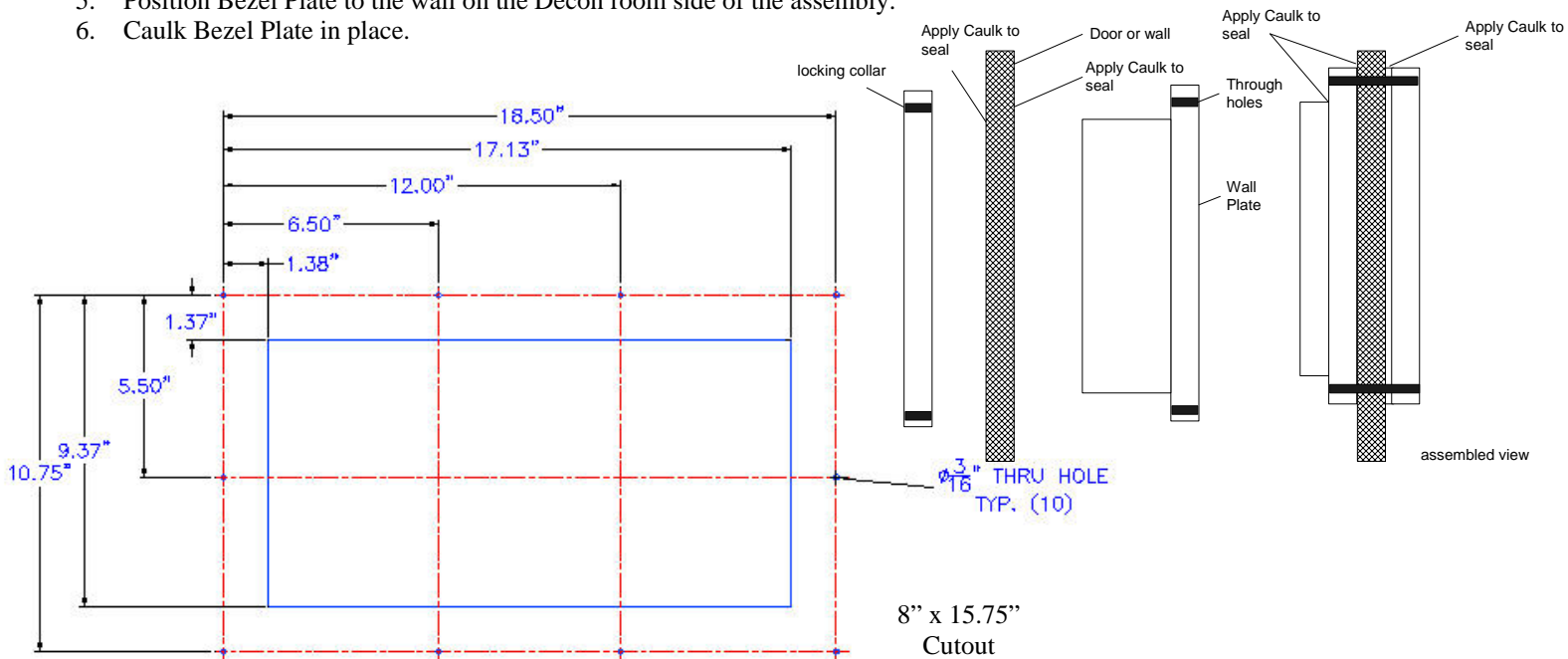
The Room Wall Plate provides a method to connect ClorDiSys Solutions, Inc gas generators to a room for quick, easy connections. It is mounted through a studded wall to the room to be decontaminated.

The plate allows for quick valved tubing connections and quick connection of electrical connectors to measure and control the RH to either the Mindox or Cloridox systems



Assembly

1. Cut wall and drill holes as per Wall Cutout Template
2. Insert Gasket over protruded side of Wall Plate
3. Mount Gasket and Wall Plate into the wall, with the indented side with the connectors facing the outside of the Decon room.
4. Insert screws (cement if block wall) into through holes of Wall Plate and tighten.
5. Position Bezel Plate to the wall on the Decon room side of the assembly.
6. Caulk Bezel Plate in place.



P.O. Box 549, Lebanon, NJ 08833-0549 Tel:(908) 236-4100 Fax:(908) 236-2222

www.clordisys.com

100-009 Rev D